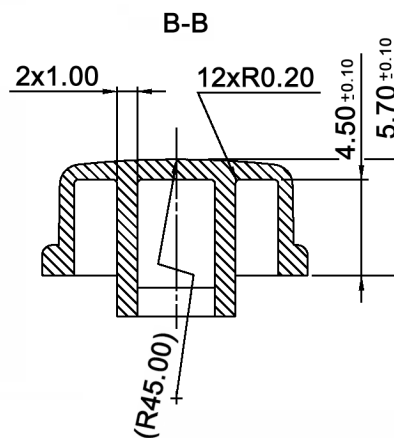
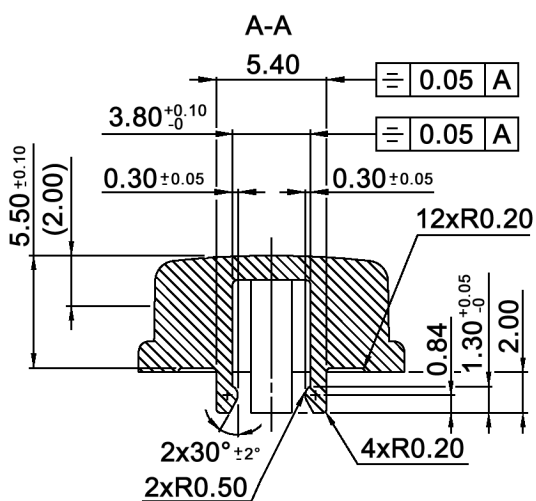


x	Cap color
G	green
Y	yellow
B	blue
R	red
I	ivory
K	black



Compliance: RohS II (2011/65/EU)

Tolerances: $\pm 0.05\text{mm max.}$		Date	Name
		07/07	dr
Revised	07/14	dr	
Modifications	Date	Name	

KTSC 22 x

knitter-switch

30 11 65

Page

1/1